

# Transurethral Catheter Safety Valve - TUCSV®

## DESCRIPTION

The Transurethral Catheter Safety Valve (TUCSV®) is a single-use device designed to prevent accidental inflation of a Foley catheter balloon in the urethra, significantly reducing the risk of urethral injury. The TUCSV® features a proximal female Luer lock, a flow restrictor, a pressure release valve and a distal male Luer slip.

## FEATURES & BENEFITS

- Used for urethral catheter insertion
- Designed to prevent the problem of Catheter Balloon Injury (CBI) of the urethra associated with catheterisation
- Innovative safety pressure relief valve to indicate misplacement
- Sterile single packaging
- Compatible with luer lock and luer slip syringes

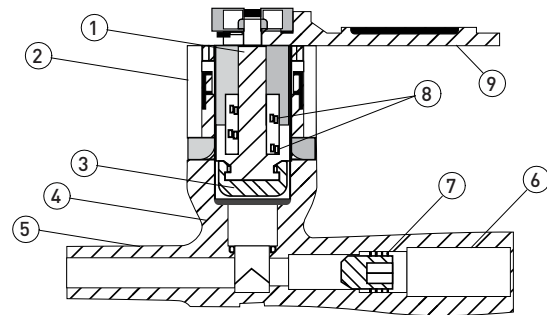
## PRODUCT DATA

- Materials: Polycarbonate (Macrolon), Silicone, Stainless Steel
- Shelf Life: 5 years
- Not Made with Natural Rubber Latex
- Not made with DEHP
- ARTG: 449623

## STANDARDS

- EN ISO-11137-1:2015 A2:2019 Sterilization of Health Care Products
- ISO 80369-7:2016 Small-bore Connectors for liquids and gases in healthcare applications
- EN ISO 11607-1:2020 Packaging for Terminally Sterilised Medical Devices

## PRODUCT DIAGRAM



ITEM	DESCRIPTION
1	Plunger
2	Cap
3	Silicone Seal
4	Main Body
5	Male Luer Slip
6	Female Luer Lock/Slip
7	Screw
8	Spring
9	Pull Tab

## Transurethral Catheter Safety Valve

STERILE

RE-ORDER

DESCRIPTION

CARTON/QTY

UR018000

Transurethral Catheter Safety Valve

5